

SMD 2835 LED Rigid Bar 60LED/M

Hanron Lighting Co. Limited's SMD 2835 LED Rigid Bar, 60LED/Meter, is to satisfy customers seeking a high brightness of the lighting and brilliant color effects. By using TOP 2835 SMD LED as a light source, they obtain a high lumen output to 22-24lm and life time is up to 30,000hrs. They are ideal light source for home decoration, hotel, KTV, cove ect.

Features:

1. DC12V or DC12V drive, safe usage.
2. TOP SMD2835 chip, high brightness, wide beam angle
3. Extremely efficient heat dissipation capability
4. Low power consumption, long life span, free maintenance
- 5. The length of PCB, LED Qty can be customized as upon request**
6. Easy installation, can be connected to each other by the end connector

Application:

1. Cove lighting
2. DIY lights for home use
3. Backlight or edge lighting for signage
4. Jewelry and watch display, shop mood lighting
5. Decorative lights for holiday, event, show, exhibition
6. Architectural lights for canopy, corridor, window, archway

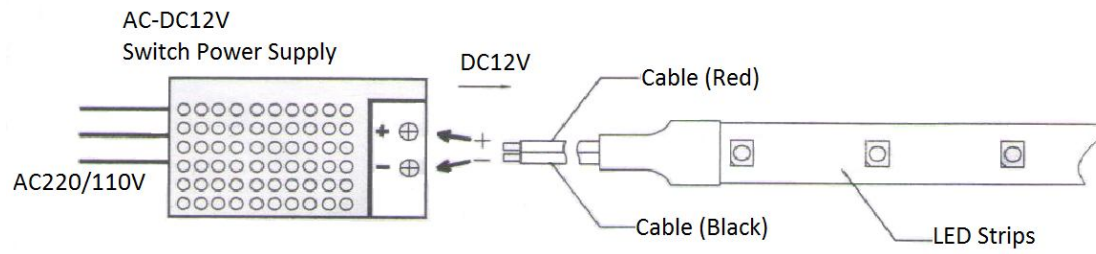
Parameter

Item NO.	LED Type	LED QTY (PCS)	Voltage (V)	Power (W/M)	Color	CCT (K)	Luminous Flux (Lm/M)	Beam Angle	Protect Level	Size (mm)
HR01-ABNW6012A	SMD2835	60	DC12	14.4	W	5500-6500K	1320LM±10%	120°	IP20	1000*12
HR01-ABWW6012A	SMD2835	60	DC12	14.4	WW	2800-3200K	1320LM±10%			
HR01-ABCW6012A	SMD2835	60	DC12	14.4	CW	10000-14000K	1320LM±10%			

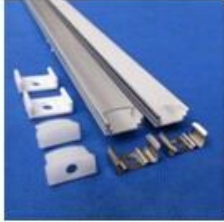
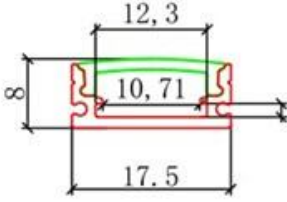

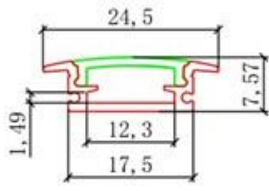

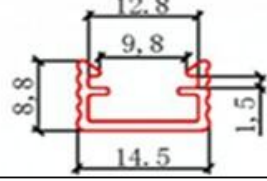
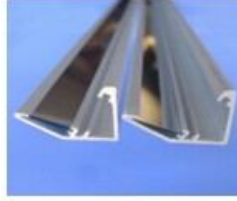
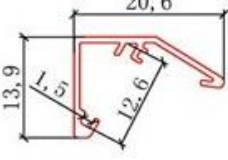
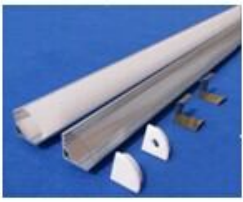
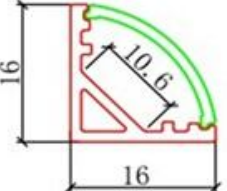
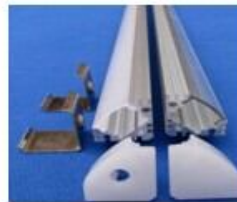
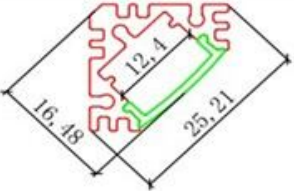
* The length of PCB, LED Qty can be customized as upon request

Dimension:

Connect Drawing:



VII. Optional Aluminum

Aluminum Groove	Dimension	Aluminum Groove	Dimension
			
			
			

Base

VIII. Accessories



V Type 270° Corner



V Type 135° Corner



V Type 90° Corner



V Type 180° Direct Connection



Reflect Light 90° Corner



Reflect Light 270° Corner



Reflect Light 135° Corner



Reflect Light 180°
Direct Connection



Flat End Cap



Flat End Cap



V Type End Cap



PC Cover End Cap



PC Cover End Cap

*Corner need to buy independently