

## SMD 3528 Constant Voltage LED Strip Light 60LED/M

### LED Strip 3528 Supplier

Hanron Lighting Co. Limited's SMD 3528 constant voltage LED Flexible Strip Lighting, 60LED/Meter, both waterproof and non-waterproof, is to satisfy customers seeking a high brightness of the lighting and brilliant color effects. By using TOP 3528 SMD LED as light source, they obtain a high lumen output to 6-7lm per LED and the color range from WW, NW, PW, CW to Red, Blue, Green, Orange and yellow. Life time is up to 30,000hrs. They are ideal light source for home decoration, hotel, KTV, cove ect.

#### Features of LED Strip 3528 Constant Voltage:

1. TOP SMD3528 chip, high brightness, wide beam angle, low decay.
2. Easy to install for any bending
3. Low power consumption, long life span, free maintenance
4. Working temperature: -40°C - 50°C
5. Storage temperature: -50°C - 60°C
6. Certification: CE & RoHS

#### Application of LED Strip 3528 Constant Voltage:

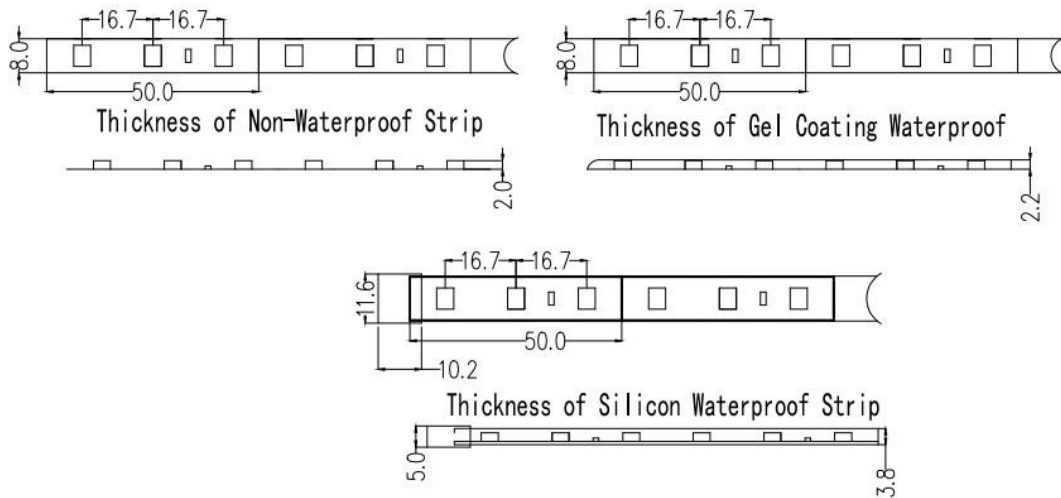
1. Cove lighting
2. Architectural lights for canopy, corridor, window, archway
3. Backlight or edge lighting for signage
4. DIY lights for home use
5. Path and contour marking
6. Decorative lights for holiday, event, show, exhibition
7. Special light effect for art gallery and glass-made items

#### Parameter of LED Strip 3528 Constant Voltage

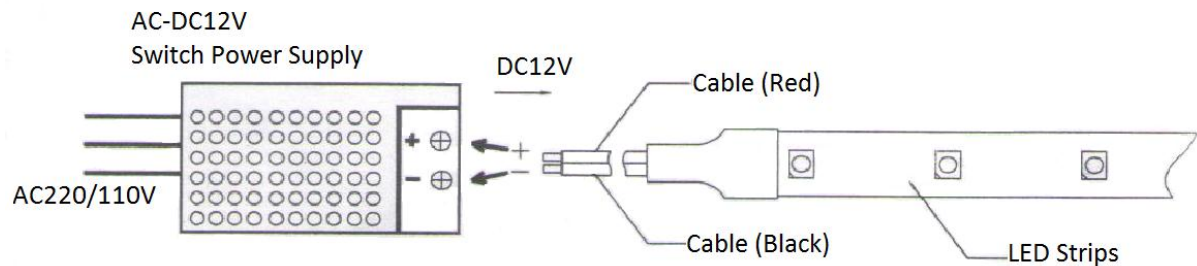
Item NO.	LED Type	LED QTY (PCS)	Voltage (V)	Power (W/M)	Color	Wave Length/C. T.	Luminous Flux/M	Beam Angle	Protect Level
HR00-A12ANW60P	SMD3528	60	DC12/DC24	4.8	W	5500-6500K	390LM±10%	120°	IP20/ IP65/ IP67/ IP68
HR00-A12AWW60P	SMD3528	60	DC12/DC24	4.8	WW	2800-3200K	390LM±10%		
HR00-A12ACW60P	SMD3528	60	DC12/DC24	4.8	CW	9000-12000K	390LM±10%		
HR00-A12AR60P	SMD3528	60	DC12/DC24	4.8	RED	620-630nm	120LM±10%		
HR00-A12AY60P	SMD3528	60	DC12/DC24	4.8	YELLOW	585-595nm	120LM±10%		
HR00-A12AB60P	SMD3528	60	DC12/DC24	4.8	BLUE	465-475nm	72LM±10%		
HR00-A12AG60P	SMD3528	60	DC12/DC24	4.8	GREEN	520-530nm	210LM±10%		

\* White/Black/Yellow Color FPC optional

**Dimension of LED Strip 3528 Constant Voltage:**

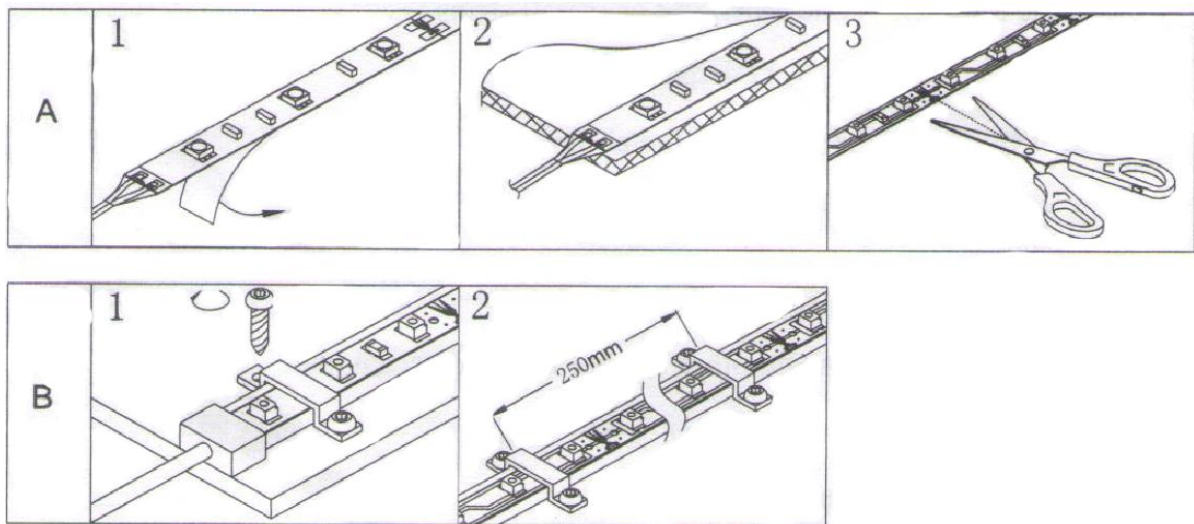


**Connect Drawing:**



**Installation of LED Strip 3528 Constant Voltage:**

1. The black of strip stick with 3M tape. Only need to rive the face paper on 3M tape when use.
2. Stick the strip anywhere 3M tape easy to fix.
3. When install strips, it can be cut at the marks of scissors according to length.
4. Fix the strips with screw of clip lock.

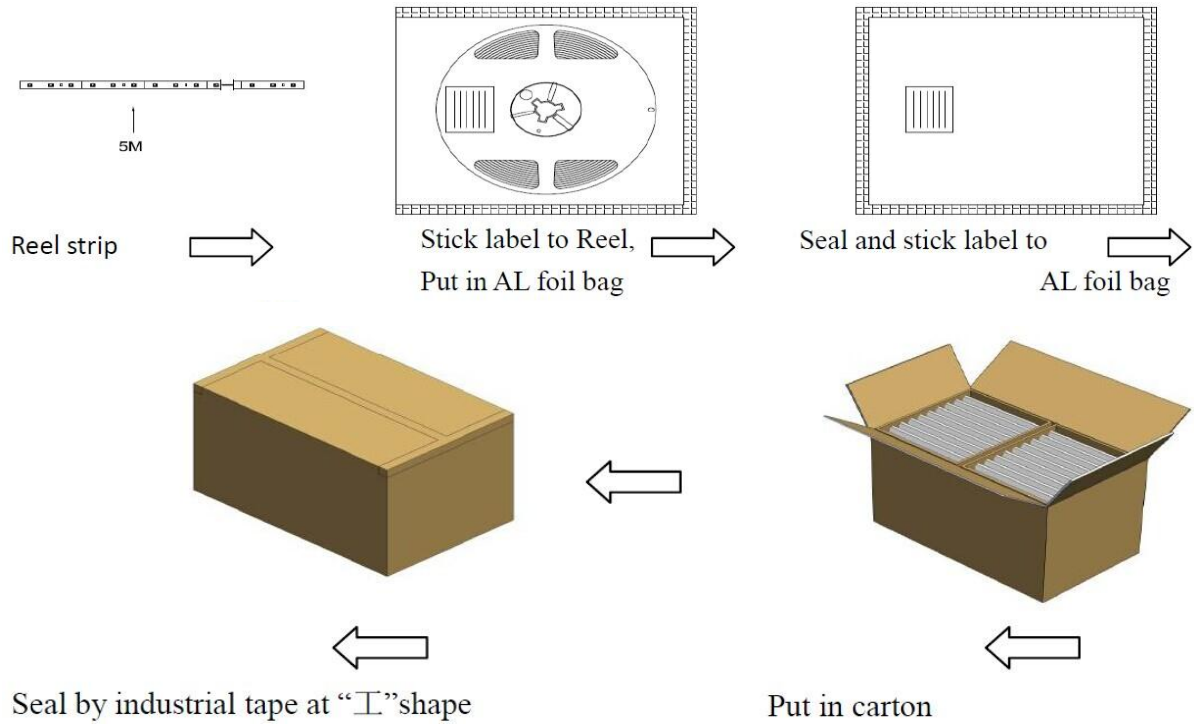


A. Installation with 3M tape

B. Installation with mounting Clip

**Packaging:**

1. Diagram



## 2. Notes from 3528 Constant Voltage LED Strip Manufacturer in China - Hanron:

- \*Reel each strip(5M) by one and put in AL foil bag;
- \*Put 15 reels into one inner box, total 75M strip;
- \*Put 2 inner boxes into one carton, total 150M strip.

Hanron is a professional and leading manufacturer in China with full range of led strip lights. Don't hesitate to contact us with the details.