

SMD 5050 Constant Voltage LED Strip Light 30LED/M

5050 LED Strip light 30LED/M Manufacturer

Hanron Lighting Co. Limited's SMD 5050 constant voltage LED Flexible Strip Lighting, 30LED/Meter, both waterproof and non-waterproof, is to satisfy customers seeking a high brightness of the lighting and brilliant color effects. By using a three-chip TOP 5050 SMD LED as a light source, they obtain a high lumen output to 18-20lm per LED and the color range from WW, NW, PW, CW to Red, Blue, Green, Orange and yellow. Life time is up to 30,000hrs. They are ideal light source for home decoration, hotel, KTV, cove ect.

Features of 5050 LED Strip light 30LED/M:

1. TOP SMD5050 chip, high brightness, wide beam angle, low decay.
2. Easy to install for any bending
3. Low power consumption, long life span, free maintenance
4. Working temperature: -40°C - 50°C
5. Storage temperature: -50°C - 60°C
6. Certification: CE & RoHS

Application of 5050 LED Strip light 30LED/M:

1. Cove lighting
2. Architectural lights for canopy, corridor, window, archway
3. Backlight or edge lighting for signage
4. DIY lights for home use
5. Path and contour marking
6. Decorative lights for holiday, event, show, exhibition
7. Special light effect for art gallery and glass-made items

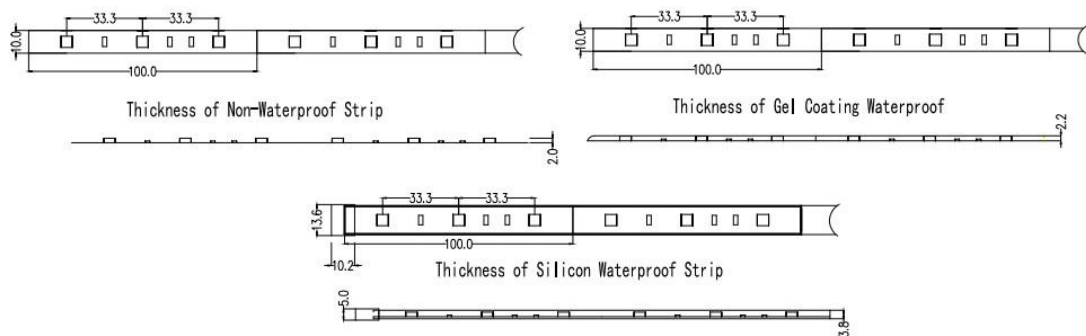
Parameter of 5050 LED Strip light 30LED/M

Item NO.	LED Type	LED QTY (PCS)	Voltage (V)	Power (W/M)	Color	Wave Length/C. T.	Luminous Flux/M	Beam Angle	Protect Rating
HR00-C12ANW30P	SMD5050	30	DC12/DC24	7.2	W	5500-6500K	600LM±10%	120°	IP20/
HR00-C12AWW30P	SMD5050	30	DC12/DC24	7.2	WW	2800-3200K	600LM±10%		IP65/

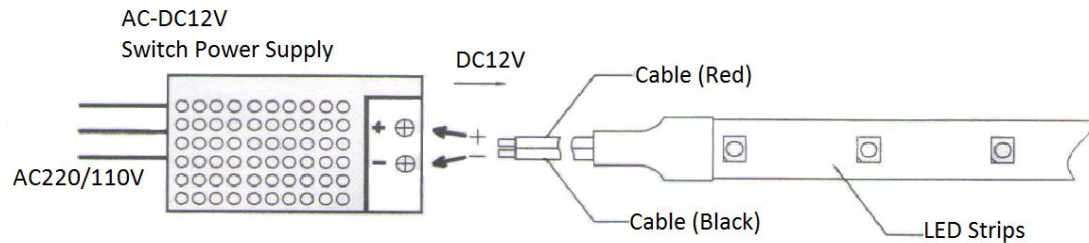
HR00-C12ACW30P	SMD5050	30	DC12/DC24	7.2	CW	9000-12000K	600LM±10%	IP67/ IP68
HR00-C12AR30P	SMD5050	30	DC12/DC24	7.2	RED	620-630nm	105LM±10%	
HR00-C12AY30P	SMD5050	30	DC12/DC24	7.2	YELLOW	585-595nm	90LM±10%	
HR00-C12AB30P	SMD5050	30	DC12/DC24	7.2	BLUE	465-475nm	69LM±10%	
HR00-C12AG30P	SMD5050	30	DC12/DC24	7.2	GREEN	520-530nm	270LM±10%	

* White/Black/Yellow Color FPC optional

Dimension:

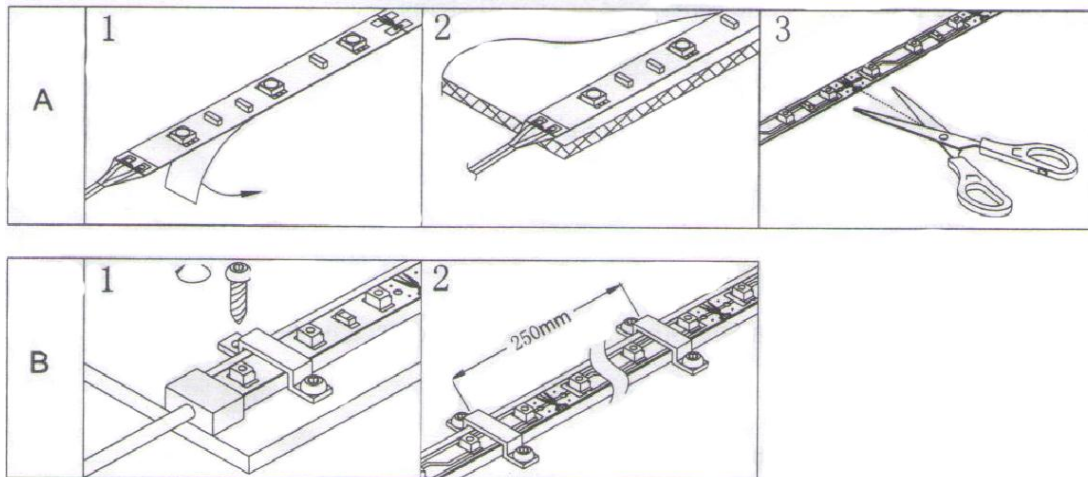


Connect Drawing of 5050 LED Strip light 30LED/M:



Installation

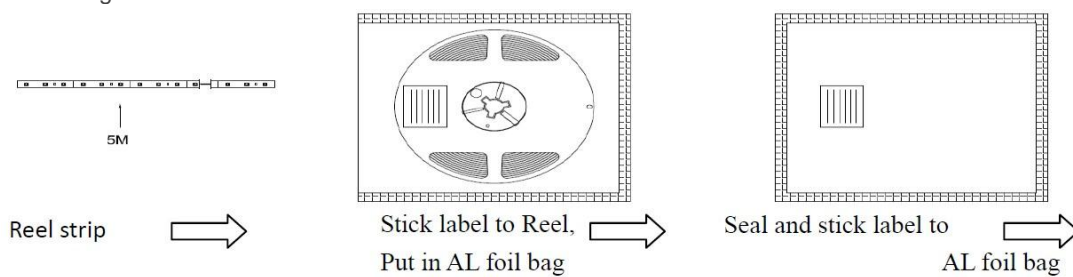
1. The black of strip stick with 3M tape. Only need to rive the face paper on 3M tape when use.
2. Stick the strip anywhere 3M tape easy to fix.
3. When install strips, it can be cut at the marks of scissors according to length.
4. Fix the strips with screw of clip lock.

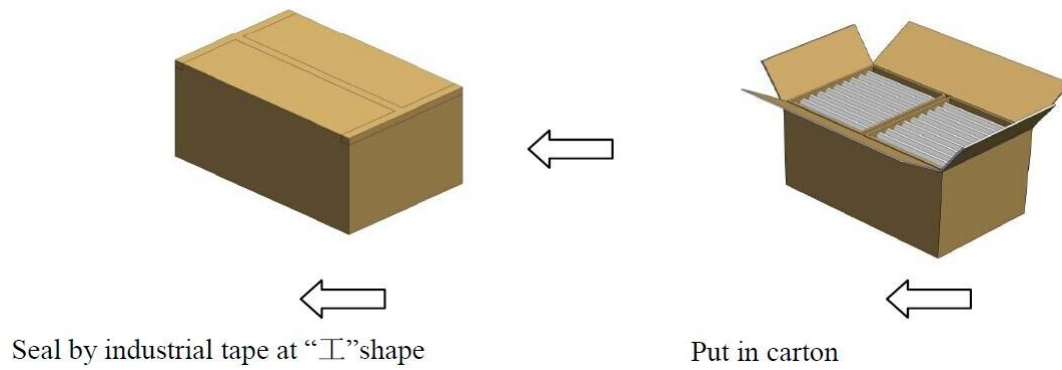


- A. Installation with 3M tape
- B. Installation with mounting Clip

Packaging:

- 1. Diagram





2. Notes from 5050 LED Strip light 30LED/M supplier in China - Hanron:

*Reel each strip(5M) by one and put in AL foil bag;

*Put 15 reels into one inner box, total 75M strip;

*Put 2 inner boxes into one carton, total 150M strip.