

## SMD 5050 Constant Voltage LED Strip Light 60LED/M

### LED Strip 5050 60LED/M manufacturer

Hanron Lighting Co. Limited's SMD 5050 constant voltage LED Flexible Strip Lighting, 60LED/Meter, both waterproof and non-waterproof, is to satisfy customers seeking a high brightness of the lighting and brilliant color effects. By using a three-chip TOP 5050 SMD LED as a light source, they obtain a high lumen output to 18-20lm per LED and the color range from WW, NW, PW, CW to Red, Blue, Green, Orange and yellow. Life time is up to 30,000hrs. They are ideal light source for home decoration, hotel, KTV, cove ect.

#### Features of LED Strip 5050 60LED/M:

1. TOP SMD5050 chip, high brightness, wide beam angle, low decay.
2. Easy to install for any bending
3. Low power consumption, long life span, free maintenance
4. Working temperature: -40°C - 50°C
5. Storage temperature: -50°C - 60°C
6. Certification: CE & RoHS

#### Application of LED Strip 5050 60LED/M:

1. Cove lighting
2. Architectural lights for canopy, corridor, window, archway
3. Backlight or edge lighting for signage
4. DIY lights for home use
5. Path and contour marking
6. Decorative lights for holiday, event, show, exhibition
7. Special light effect for art gallery and glass-made items

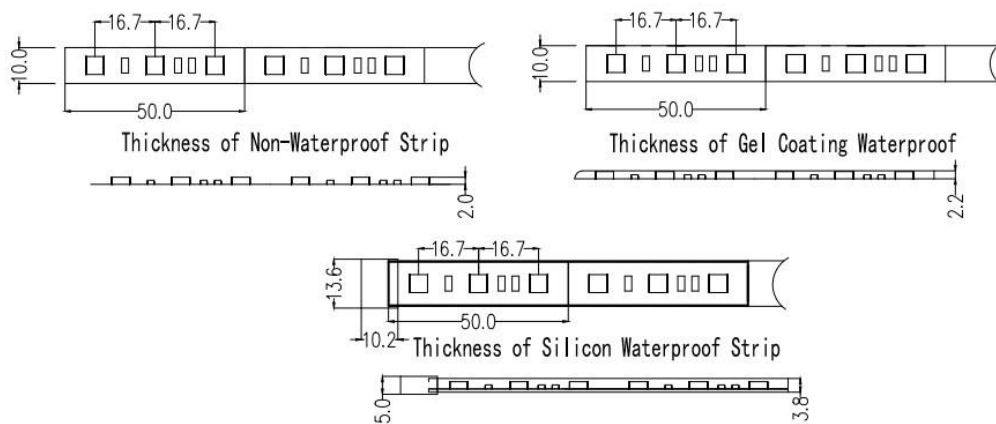
#### Parameter of LED Strip 5050 60LED/M

Item NO.	LED Type	LED QTY (PCS)	Voltage (V)	Power (W/M)	Color	Wave Length/C. T.	Luminous Flux/M	Beam Angle	Protect Level
HR00-C12ANW60P	SMD5050	60	DC12/DC24	14.4	W	5500-6500K	1200LM±10%	120°	IP20/
HR00-C12AWW60P	SMD5050	60	DC12/DC24	14.4	WW	2800-3200K	1200LM±10%		IP65/

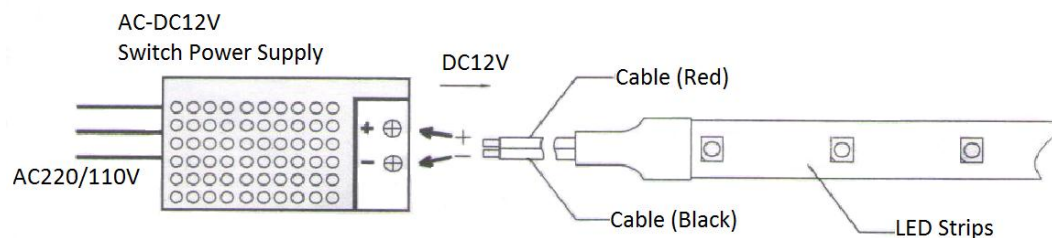
HR00-C12ACW60P	SMD5050	60	DC12/DC24	14.4	CW	9000-12000K	1200LM±10%	IP67/ IP68
HR00-C12AR60P	SMD5050	60	DC12/DC24	14.4	RED	620-630nm	210LM±10%	
HR00-C12AY60P	SMD5050	60	DC12/DC24	14.4	YELLOW	585-595nm	180LM±10%	
HR00-C12AB60P	SMD5050	60	DC12/DC24	14.4	BLUE	465-475nm	138LM±10%	
HR00-C12AG60P	SMD5050	60	DC12/DC24	14.4	GREEN	520-530nm	540LM±10%	

\*White/Black/Yellow Color FPC optional

### Dimension of LED Strip 5050 60LED/M:

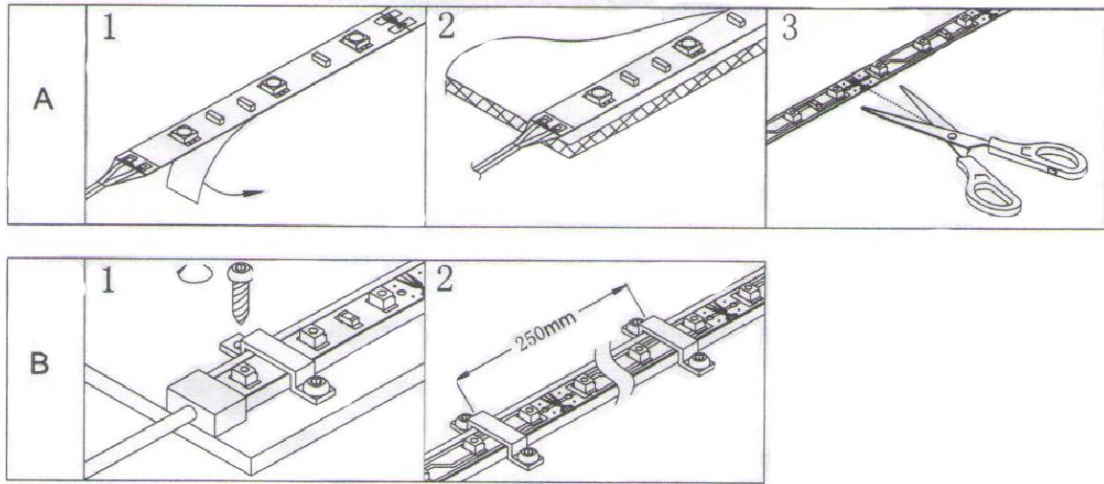


### Connect Drawing of LED Strip 5050 60LED/M:



### Installation of LED Strip 5050 60LED/M

1. The black of strip stick with 3M tape. Only need to rive the face paper on 3M tape when use.
2. Stick the strip anywhere 3M tape easy to fix.
3. When install strips, it can be cut at the marks of scissors according to length.
4. Fix the strips with screw of clip lock.

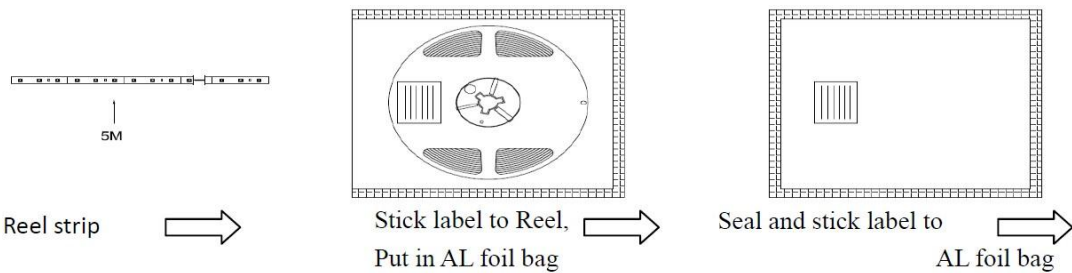


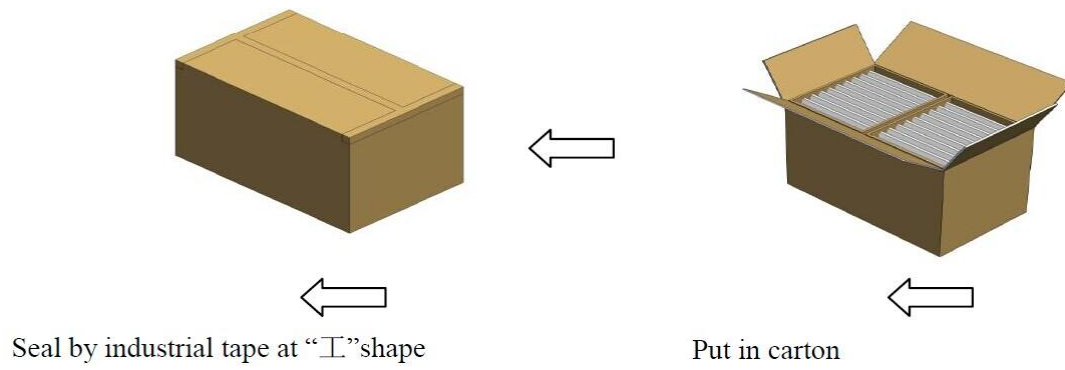
A. Installation with 3M tape

B. Installation with mounting Clip

### Packaging:

1. Diagram





## 2. Notes from LED Strip 5050 60LED/M supplier in China - Hanron

\*Reel each strip(5M) by one and put in AL foil bag;

\*Put 15 reels into one inner box, total 75M strip;

\*Put 2 inner boxes into one carton, total 150M strip.