

## SMD 2835 Constant Voltage LED Strip Light 30LED/M

### 2835 Constant Voltage LED Strip Light manufacturer

Hanron Lighting Co. Limited's SMD 2835 constant voltage LED Flexible Strip Lighting, 30LED/Meter, both waterproof and non-waterproof, is to satisfy customers seeking a high brightness of the lighting and brilliant color effects. By using TOP 2835 SMD LED as a light source, they obtain a high lumen output to 22-24lm per LED and the life time is up to 30,000hrs. They are ideal light source for home decoration, hotel, KTV, cove ect.

#### Features of SMD 2835 Constant Voltage LED Strip Light 30LED/M:

1. TOP SMD2835 chip, high brightness, wide beam angle, low decay.
2. Easy to install for any bending
3. Low power consumption, long life span, free maintenance
4. Working temperature: -40°C - 50°C
5. Storage temperature: -50°C - 60°C
6. Certification: CE & RoHS

#### Application of SMD 2835 Constant Voltage LED Strip Light 30LED/M:

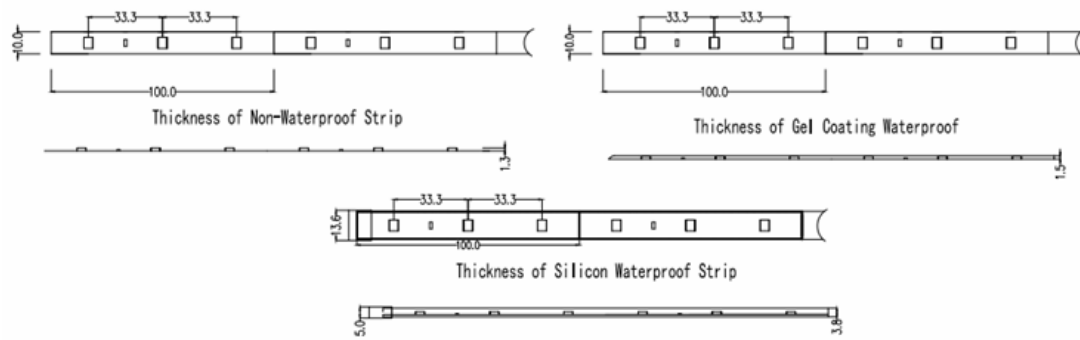
1. Cove lighting
2. Architectural lights for canopy, corridor, window, archway
3. Backlight or edge lighting for signage
4. DIY lights for home use
5. Path and contour marking
6. Decorative lights for holiday, event, show, exhibition
7. Special light effect for art gallery and glass -made items

#### Parameter of SMD 2835 Constant Voltage LED Strip Light 30LED/M

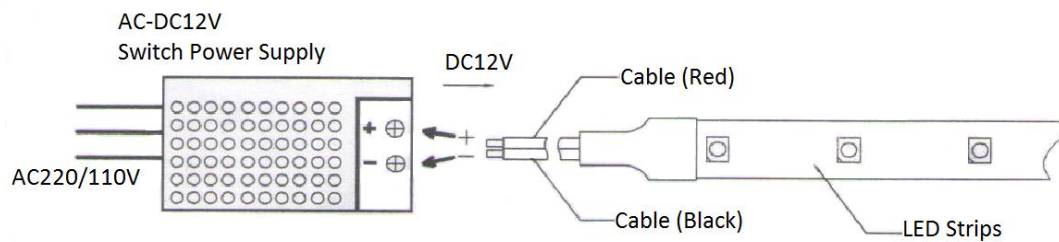
Item NO.	LED Type	LED QTY (PCS)	Voltage (V)	Power (W/M)	Color	CCT (K)	Luminous Flux/M	Beam Angle	Protect Level
HR00-D12ANW30P	SMD2835	30	DC12/DC24	7.2	white	5500-6500K	660LM±10%	120°	IP20/ IP65/ IP67/ IP68
HR00-D12AWW30P	SMD2835	30	DC12/DC24	7.2	warm white	2800-3200K	660LM±10%		
HR00-D12ACW30P	SMD2835	30	DC12/DC24	7.2	cold white	9000-12000K	660LM±10%		

\* White/Black/Yellow Color FPC optional

## Dimension of SMD 2835 Constant Voltage LED Strip Light 30LED/M:



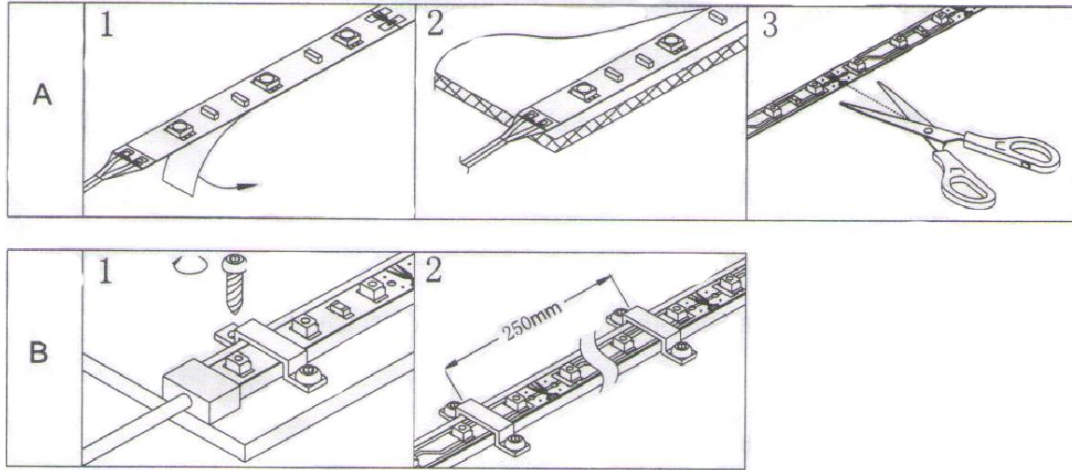
## Connect Drawing of SMD 2835 Constant Voltage LED Strip Light 30LED/M:



## Installation of SMD 2835 Constant Voltage LED Strip Light 30LED/M

1. The black of strip stick with 3M tape. Only need to rive the face paper on 3M tape when use.
2. Stick the strip anywhere 3M tape easy to fix.
3. When install strips, it can be cut at the marks of scissors according to length.
4. Fix the strips with screw of clip lock.

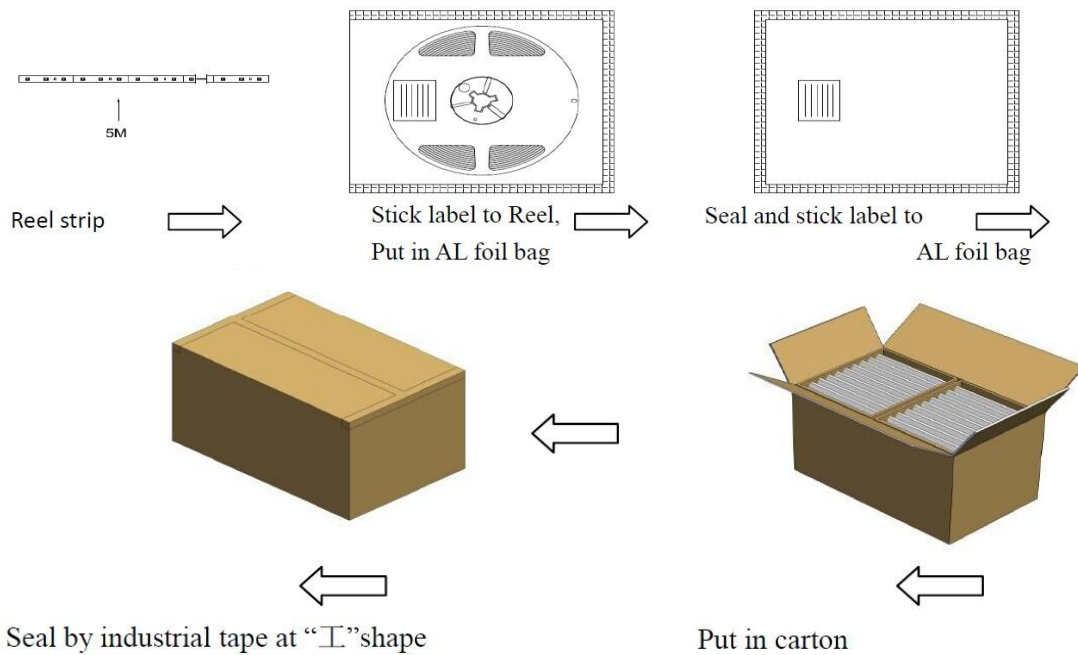




- A. Installation with 3M tape
- B. Installation with mounting Clip

### Packaging:

#### 1. Diagram



#### 2. Notes from 2835 Constant Voltage LED Strip Light supplier - Hanron:

- \*Reel each strip(5M) by one and put in AL foil bag;
- \*Put 15 reels into one inner box, total 75M strip;
- \*Put 2 inner boxes into one carton, total 150M strip.