

SMD 2835 Constant Current LED Strip Lighting 60LED/M

Constant Current SMD 2835 LED Strip Lighting manufacturer

Hanron Lighting Co. Limited's SMD 2835 constant current LED Flexible Strip Lighting, 60LED/Meter, both waterproof and non-waterproof, is to satisfy customers seeking a high brightness of the lighting and brilliant color effects. By using build-in constant current IC, they obtain longer lifespan, longer in connection and uniform brightness. They are ideal light source for home decoration, hotel, KTV, cove ect.

Features of SMD 2835 Constant Current LED Strip Lighting 60LED/M:

1. TOP SMD2835 chip, high brightness, wide beam angle, low decay.
2. With build-in constant current IC, longer lifespan
3. Cuttable for each group, convenient for using
4. Longer in connection, uniform brightness
5. Easy to install for any bending
6. DC24V, safe and fit for universal use
7. Certification: CE & RoHS

Application SMD 2835 Constant Current LED Strip Lighting 60LED/M:

1. Cove lighting
2. Architectural lights for canopy, corridor, window, archway
3. Backlight or edge lighting for signage
4. DIY lights for home use
5. Path and contour marking
6. Decorative lights for holiday, event, show, exhibition
7. Special light effect for art gallery and glass-made items

Parameter SMD 2835 Constant Current LED Strip Lighting 60LED/M

Item NO.	LED Type	LED QTY (PCS)	Current (mA)	Voltage (V)	Power (W/M)	Color	CCT (K)	Luminous Flux/M	Protect Level
HR10-B12ANW60P	SMD2835	60	60	DC22-DC26	14.4	W	5500-6500K	1320LM±10%	IP20/
HR10-B12AWW60P	SMD2835	60	60	DC22-DC26	14.4	WW	2800-3200K	1320LM±10%	IP65/

HR10-B12ACW60P	SMD2835	60	60	DC22-DC26	14.4	CW	9000-12000K	1320LM±10%	IP67/ IP68
----------------	---------	----	----	-----------	------	----	-------------	------------	---------------

Performance Curve SMD 2835 Constant Current LED Strip Lighting 60LED/M

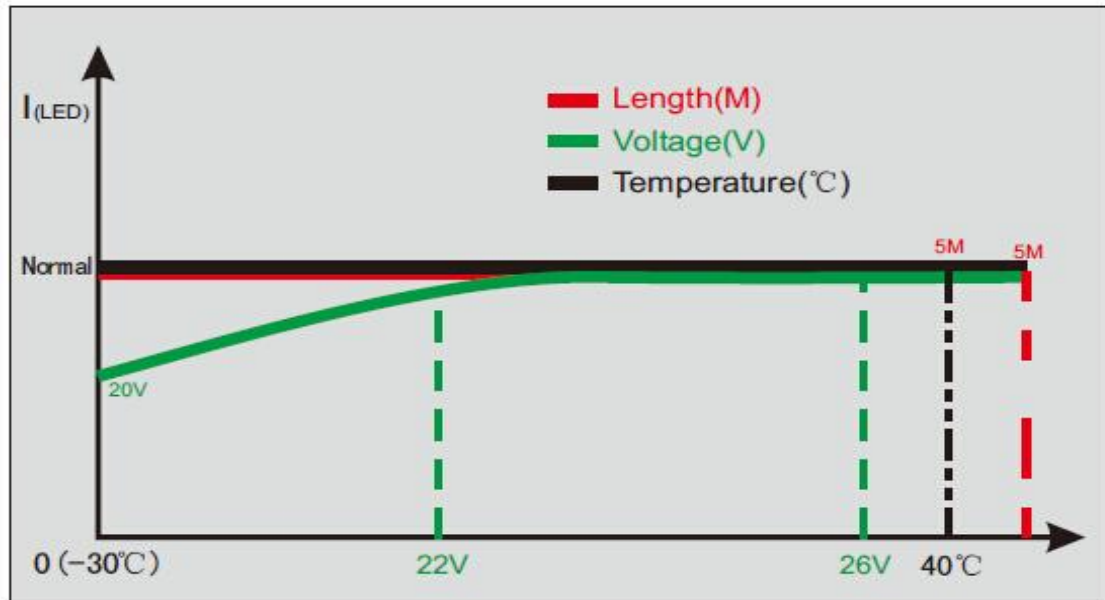


Diagram 1: Curve graph of performance characteristic

1. Wide range of working temperature(-30°C~40°C)

The current of LED keep stable from -30 ~40 .Uniform brightness, good performance. Better protect the LED from damage (as shown in black line)

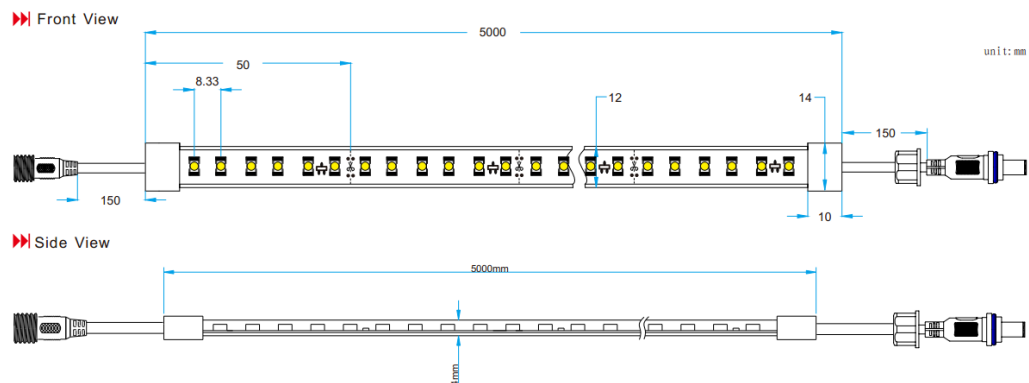
2. Long connection (Max: 10M)

Single end input, uniform brightness, good for connection (as shown in red line)

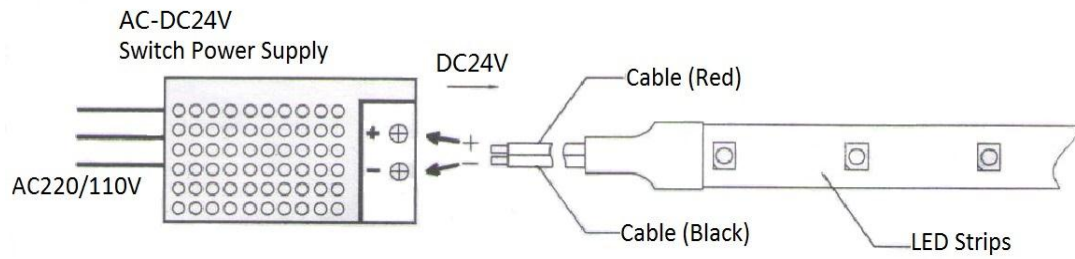
3. Wide voltage (22V~26V)

Voltage keeps stable within range, constant current good for L ED (as shown in green line)

Dimension:

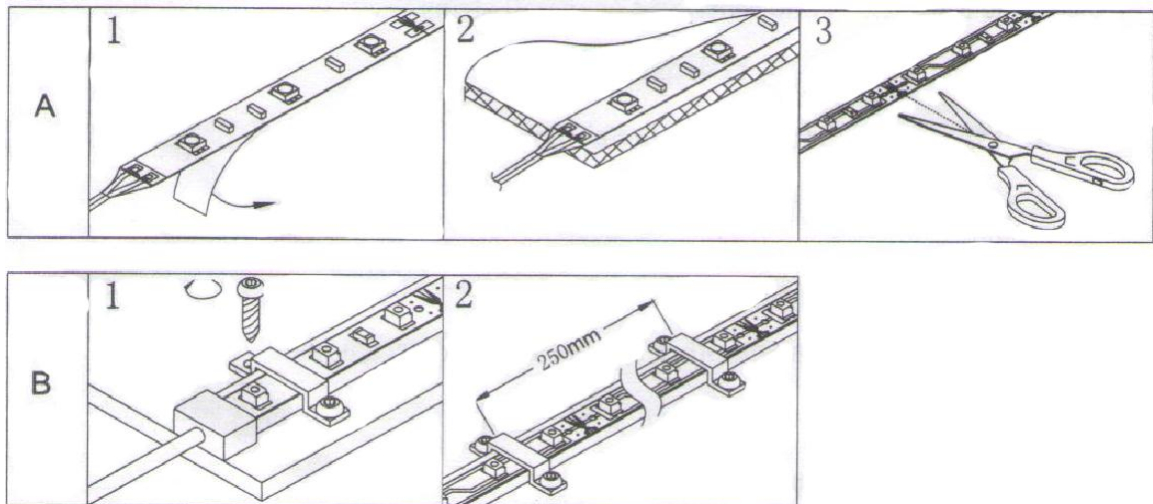


Connect Drawing:



Installation SMD 2835 Constant Current LED Strip Lighting 60LED/M

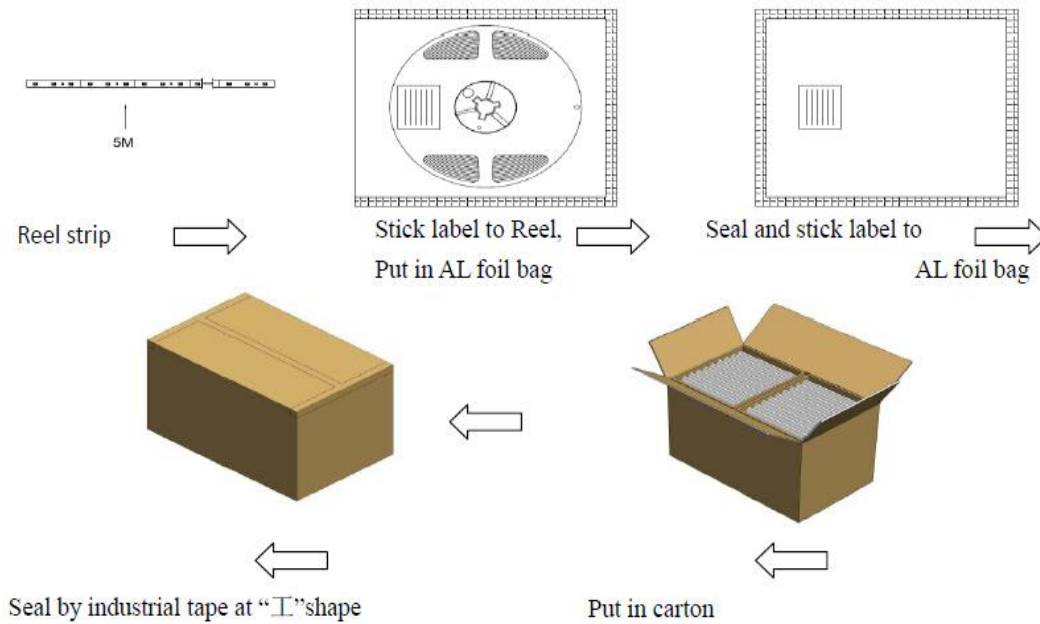
1. The black of strip stick with 3M tape. Only need to rive the face paper on 3M tape when use.
2. Stick the strip anywhere 3M tape easy to fix.
3. When install strips, it can be cut at the marks of scissors according to length.
4. Fix the strips with screw of clip lock.



- A. Installation with 3M tape
- B. Installation with mounting Clip

Packaging:

1. Diagram



2. Notes from SMD 2835 Constant Current LED Strip Lighting supplier in China - Hanron

*Reel each strip (5M) by one and put in AL foil bag;

*Put 15 reels into one inner box, total 75M strip;

*Put 2 inner boxes into one carton, total 150M strip.